

GTCH-Series Multi-Cartridge Liquid Filter Vessels

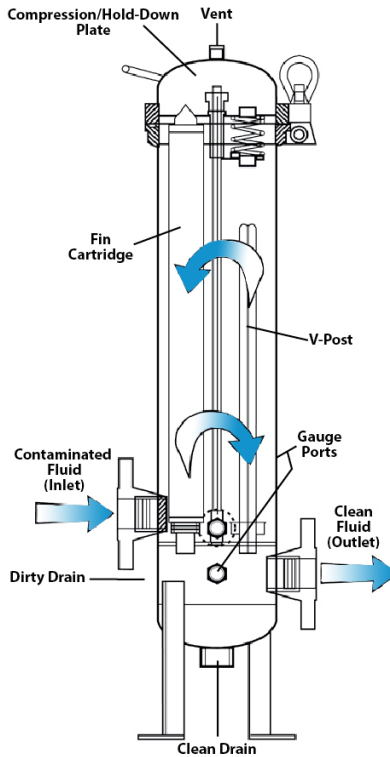
GTCH-Series Multi-Round Cartridge Vessels are designed for industrial and high purity applications. Vessels are constructed of 304 or 316L stainless steel and accept DOE, 222/FLAT and 222/FIN end cartridges in 10, 20, 30 & 40 inch lengths.

Features

- 304 or 316L stainless steel construction options
- 150 PSI pressure rating standard
- Single o-ring design (Buna standard)
- Easy-access eye-nuts/swing-bolt closure
- Universal seat cups and alternate compression/hold-down plates allow vessels to accept DOE, 222/FLAT or 222/FIN cartridges
- Heavy-duty welded angle mounting/support legs
- Bearing-assisted hand-wheel closure davit (GTCH12 & larger)

Options

- ASME Code Stamp
- CE Mark
- Electropolished Finish
- Sanitary Porting
- Alternate Seal Materials
 - EPDM (required for NSF-61)
 - Teflon® Encapsulated Viton® *
 - Viton® *



Certified to NSF/ANSI/CAN 61

NSF Certification applies for use only with drinking water. Only products bearing the NSF Mark on the product, product packaging, and/or documentation shipped with the product are Certified. Product options denoted with asterisk (*) are not included in the Certification.

Ordering Information

| GTCH | # of Cartridges | Length | Inlet/Outlet Size | Inlet/Outlet Style | Outlet | Material | Pressure Rating | Surface Finish | ASME Stamp CE Mark | NSF |
|------|-----------------|---------|-------------------|--------------------|---------------------|-------------|----------------------|----------------------|--------------------|--------------|
| | 3 | 1 = 10" | 1 = 1", (25) | B = BSPT | 1 = Bottom Outlet | 4 = 304 SS | 15 = 150 PSI @ 250°F | EP = Electropolished | Blank = None | Blank = None |
| | 5 | 2 = 20" | 1.5 = 1.5", (40) | DN = DIN | 2 = Opposite Outlet | 6 = 316L SS | | GB = Glass Bead | U = ASME | MC = NSF-61 |
| | 7 | 3 = 30" | 2 = 2", (50) | F = RF Flange | | | | | CE = CE Mark | |
| | 12 | 4 = 40" | 3 = 3", (80) | N = FNPT | | | | | | |
| | 21 | | 4 = 4", (100) | T = TC ferrule | | | | | | |
| | 36 | | 6 = 6", (150) | | | | | | | |
| | 51 | | 8 = 8", (200) | | | | | | | |

DISCLAIMER: Filtration data presented is representative of performance observed in controlled laboratory testing. It is not given as a warranty, specification or statement of fitness for use. Specific performance can vary widely depending on contaminant type, fluid properties, flow rates and environmental conditions. It is recommended that users conduct thorough qualification testing to assure the product functions as required.

DS_GTCH_200909